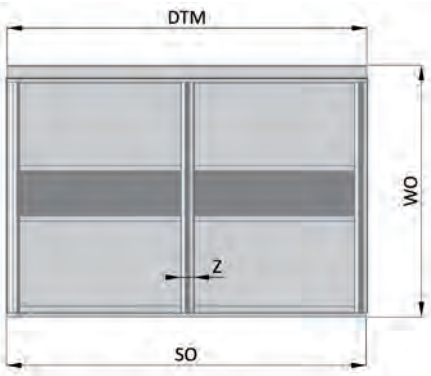


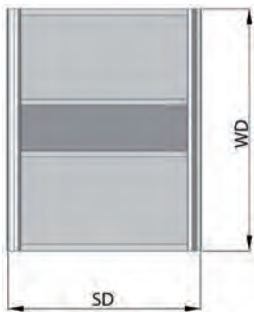
Tracks/ profiles	Colour	Length - 170 cm	Length - 235 cm	Length - 270 cm	Length - 300 cm	Length - 405 cm	Length - 600 cm
Handle NOVO 2	aluminium	-	-	A-RNOV2-270-05	-	-	-
	champagne	-	-	A-RNOV2-270-90	-	-	-
	white	-	-	A-RNOV2-270-10	-	-	-
Top track	aluminium	A-TG-170-05	A-TG-235-05	-	A-TG-300-05	A-TG-405-05	A-TG-600-05
	champagne	A-TG-170-90	A-TG-235-90	-	A-TG-300-90	A-TG-405-90	A-TG-600-90
	white	-	-	-	A-TG-300-10	-	-
Angle bar 18 mm	aluminium	-	-	-	A-K18-300-05	-	-
	champagne	-	-	-	A-K18-300-90	-	-
	white	-	-	-	A-K18-300-10	-	-
C-profile 18 mm	aluminium	-	-	-	A-C18-300-05	-	-
	champagne	-	-	-	A-C18-300-90	-	-
	white	-	-	-	A-C18-300-10	-	-
T-profile 18 mm	aluminium	-	-	-	A-T18-300-05	-	-
	champagne	-	-	-	A-T18-300-90	-	-
	white	-	-	-	A-T18-300-10	-	-
H-profile 18 mm	aluminium	-	-	-	A-H18-300-05	-	-
	champagne	-	-	-	A-H18-300-90	-	-
	white	-	-	-	A-H18-300-10	-	-
Bottom track PRO	aluminium	A-TDPRO-170-05	A-TDPRO-235-05	-	A-TDPRO-300-05	A-TDPRO-405-05	A-TDPRO-600-05
	champagne	A-TDPRO-170-90	A-TDPRO-235-90	-	A-TDPRO-300-90	A-TDPRO-405-90	A-TDPRO-600-90
Masking cover PRO	aluminium	A-MPRO-170-05	A-MPRO-235-05	-	A-MPRO-300-05	A-MPRO-405-05	-
	champagne	A-MPRO-170-90	A-MPRO-235-90	-	A-MPRO-300-90	A-MPRO-405-90	-
Bottom track EVO	aluminium	A-TDEVO-170-05	A-TDEVO-235-05	-	A-TDEVO-300-05	A-TDEVO-405-05	A-TDEVO-600-05
	champagne	A-TDEVO-170-90	A-TDEVO-235-90	-	A-TDEVO-300-90	A-TDEVO-405-90	A-TDEVO-600-90
	white	-	-	-	A-TDEVO-300-10	-	-
Masking cover EVO	aluminium	A-MEVO-170-05	A-MEVO-235-05	-	A-MEVO-300-05	A-MEVO-405-05	-
	champagne	A-MEVO-170-90	A-MEVO-235-90	-	A-MEVO-300-90	A-MEVO-405-90	-
	white	-	-	-	A-MEVO-300-10	-	-

Complementary elements	Top roller 18 mm	Bottom roller PRO	Bottom roller EVO	Top positioner	Bottom positioner	Buffer strip 14,5x4	Anti-dust strip with glue 7x12
	A-PG-18	A-WD-PRO	A-WD-EVO	A-PTG	A-PTD	A-SO-145X4	A-SP-7X12

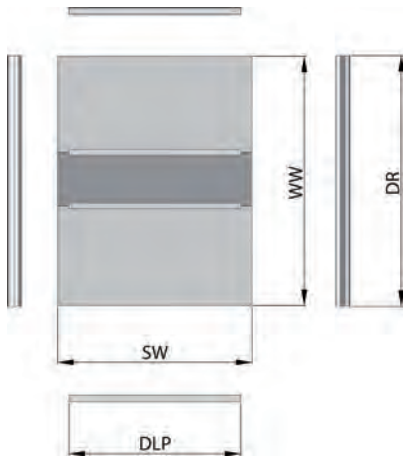
Dimensions of door



Door dimensions



Dimensions of fillings and profiles



Number of doors  $n = 2$ ,  
number of overlaps  $k = 1$



Number of doors  $n = 3$ ,  
number of overlaps  $k = 2$



In case of a facade with four doors in a symmetrical arrangement (number of doors  $n = 4$ , number of overlaps  $k = 2$ ), the calculations should be made according to: values  $n = 2$  and  $k = 1$  and the opening width, equal to half the real width.



DESIGNATIONS

- SO - opening width
- WO - opening height
- DTM - Length of tracks and covers
- SD - door width
- WD - door height
- k - number of overlaps
- Z - overlap width,  $Z = 34$  mm
- n - number of doors
- SW - width of filling
- WW - height of filling
- DLP - Length of horizontal strips
- DR - Length of handles

Length of lower and upper track and cover

$DTM = SO$

DOOR DIMENSIONS

Door height

$WD = WO - 40$

Width calculation for door with buffer strip					
Overlap width	Z = 34 mm				General formula
Number of doors	n = 2	n = 3	n = 4		$SD = \frac{(SO - 3 + k * Z)}{n}$
Number of overlaps	k = 1	k = 2	k = 2	k = 3	
Simplified formula	$SD = \frac{(SO + 31)}{2}$	$SD = \frac{(SO + 65)}{3}$	$SD = \frac{(SO + 65)}{4}$	$SD = \frac{(SO + 99)}{4}$	

Calculations for door width with buffer strip					
Overlap width	Z = 34 mm				General formula
Number of doors	n = 2	n = 3	n = 4		$SD = \frac{(SO + k * Z)}{n}$
Number of overlaps	k = 1	k = 2	k = 2	k = 3	
Simplified formula	$SD = \frac{(SO + 34)}{2}$	$SD = \frac{(SO + 68)}{3}$	$SD = \frac{(SO + 68)}{4}$	$SD = \frac{(SO + 102)}{4}$	

FILLING DIMENSIONS

Width of filling

$SW_{18} = SD - 30$

Height of filling for the door with angle bar or C-profile

$WW_{LC} = WD - 3$

Height of filling for the door without angle bar or C-profile

$WW = WD$

If the fillings are joined with H- and/or T-profile, deduct 1 mm from the height of the filling for each joint.

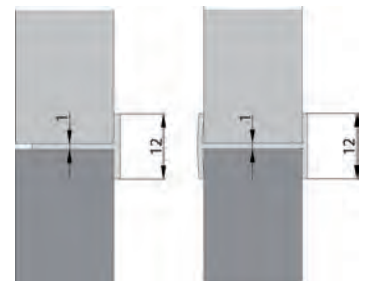
LENGTHS OF ALUMINIUM PROFILES

Length of horizontal strips

$DLP = SD - 52$

Length of handles

$DR = WD$



STRIP LENGTHS

Buffer strip length

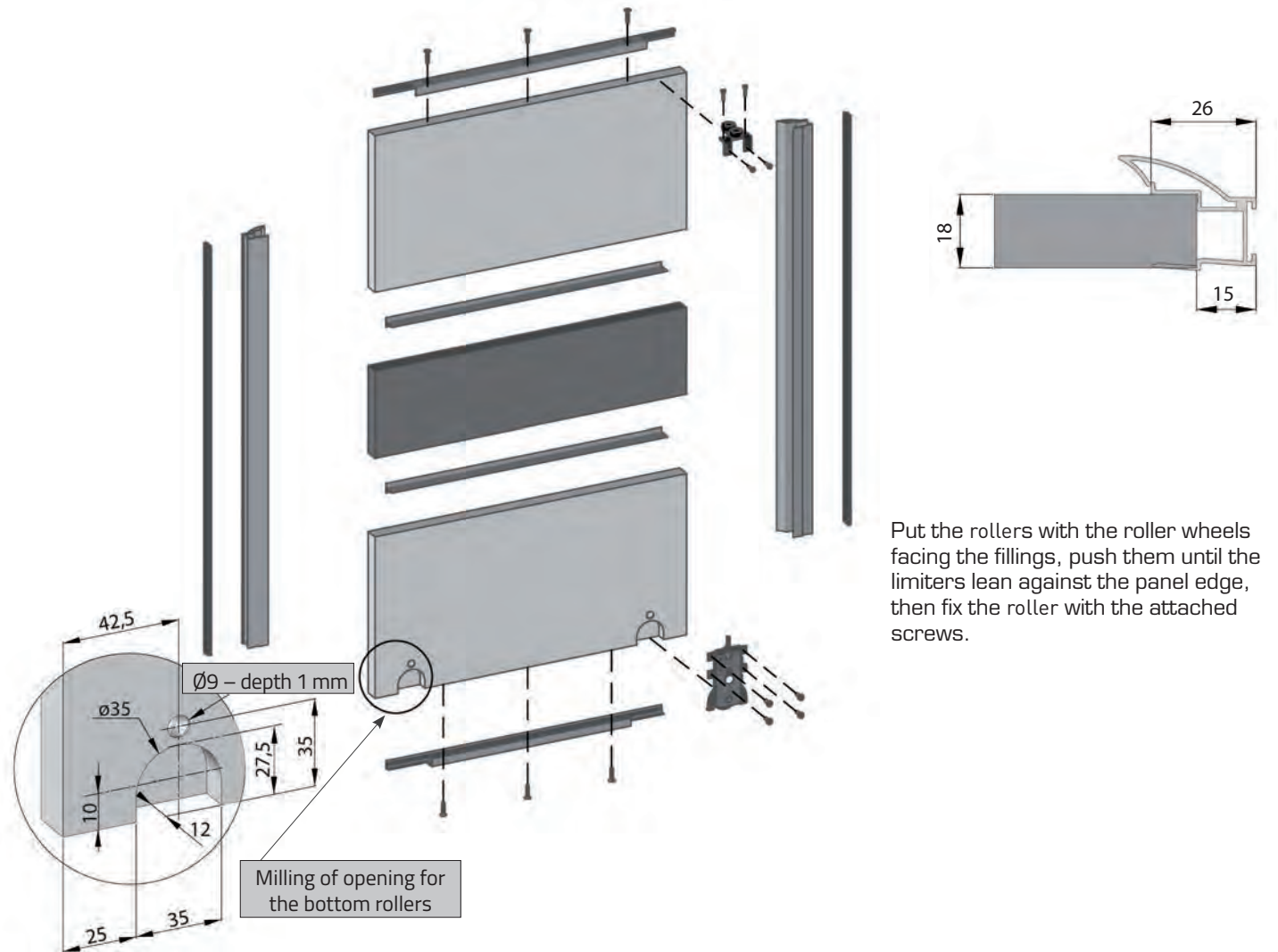
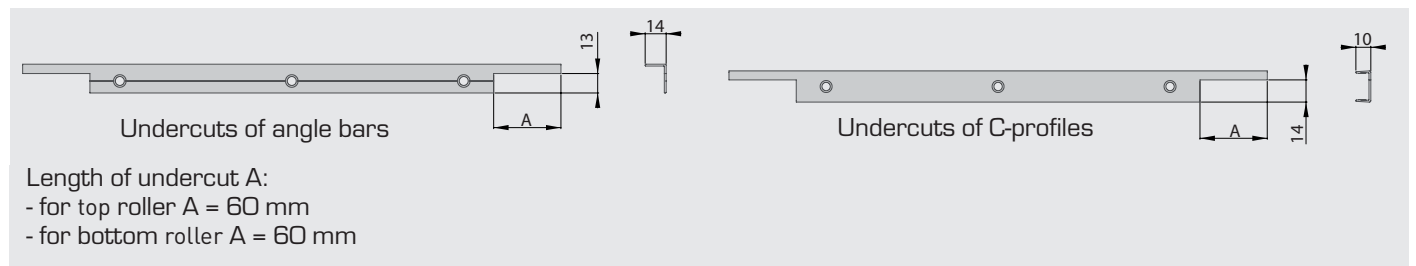
$D_{so} = WD$

Anti-dust strip length

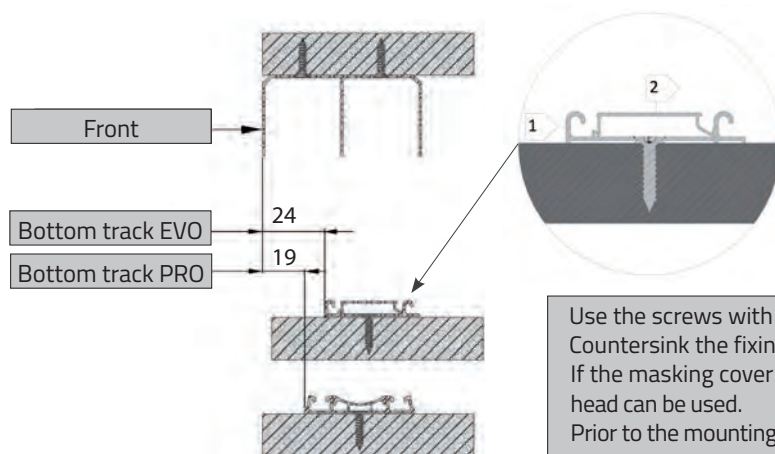
$D_{sp} = WD - 30$

## INSTALLATION OF DOOR

It is recommended to use assembly glue for (panel - T-profile - panel) joints.  
 Angle bars and/or C-profiles can be used as top and bottom strips.



## INSTALLATION OF BOTTOM TRACKS



1. Pay attention to the correct direction of the installation of tracks.
2. Pay attention to the correct direction and attachment of masking cover.

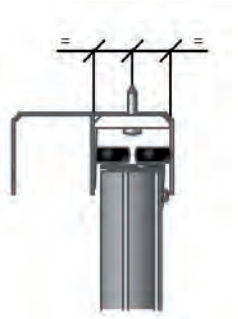
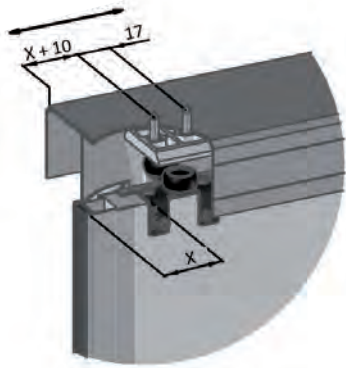
Use the screws with tapered head for the installation of tracks.  
 Countersink the fixing holes.  
 If the masking cover for the bottom track is applied, the screws with flat head can be used.  
 Prior to the mounting of the bottom track PRO, mount the bottom positioner.

# INSTALLATION OF POSITIONER IN TOP TRACK OR IN BOTTOM TRACK

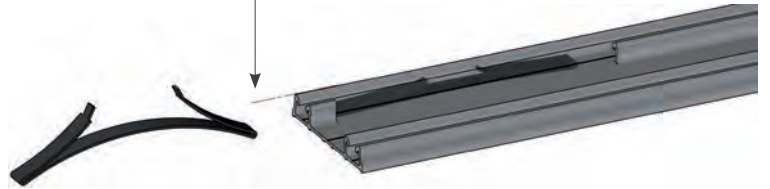
For the lower track **EVO** – mount always the top positioner.

For the lower track **PRO** – mount the top positioner or the bottom positioner.

adjustment - 3 mm

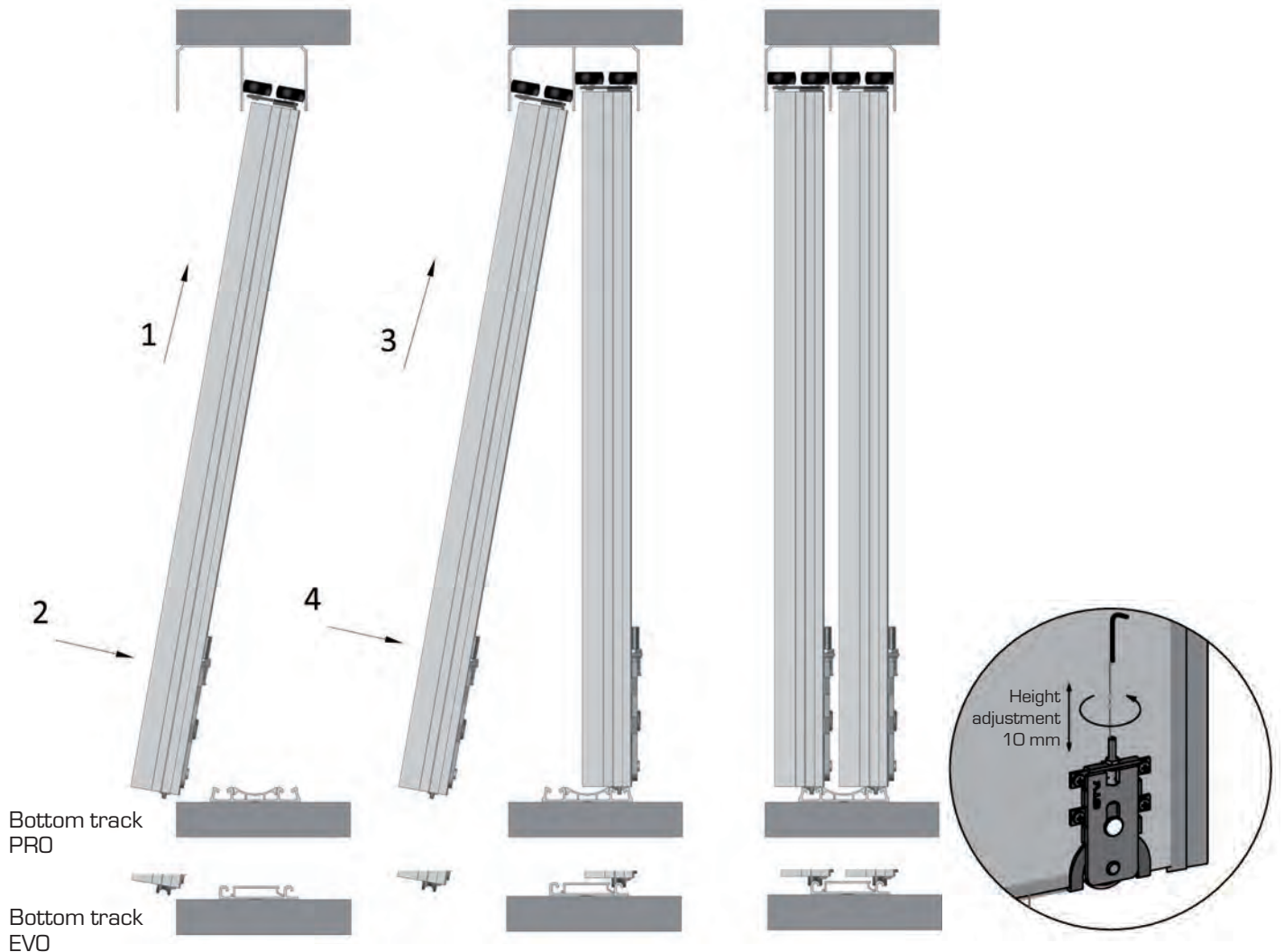


The positioner is mounted in the bottom track PRO prior to the installation of door and prior to the mounting of the bottom track.



# INSTALLATION OF DOOR

Make sure that the tracks are installed properly prior to the attachment of the cover.  
Attach the cover prior to the installation of door.



Bottom track PRO

Bottom track EVO